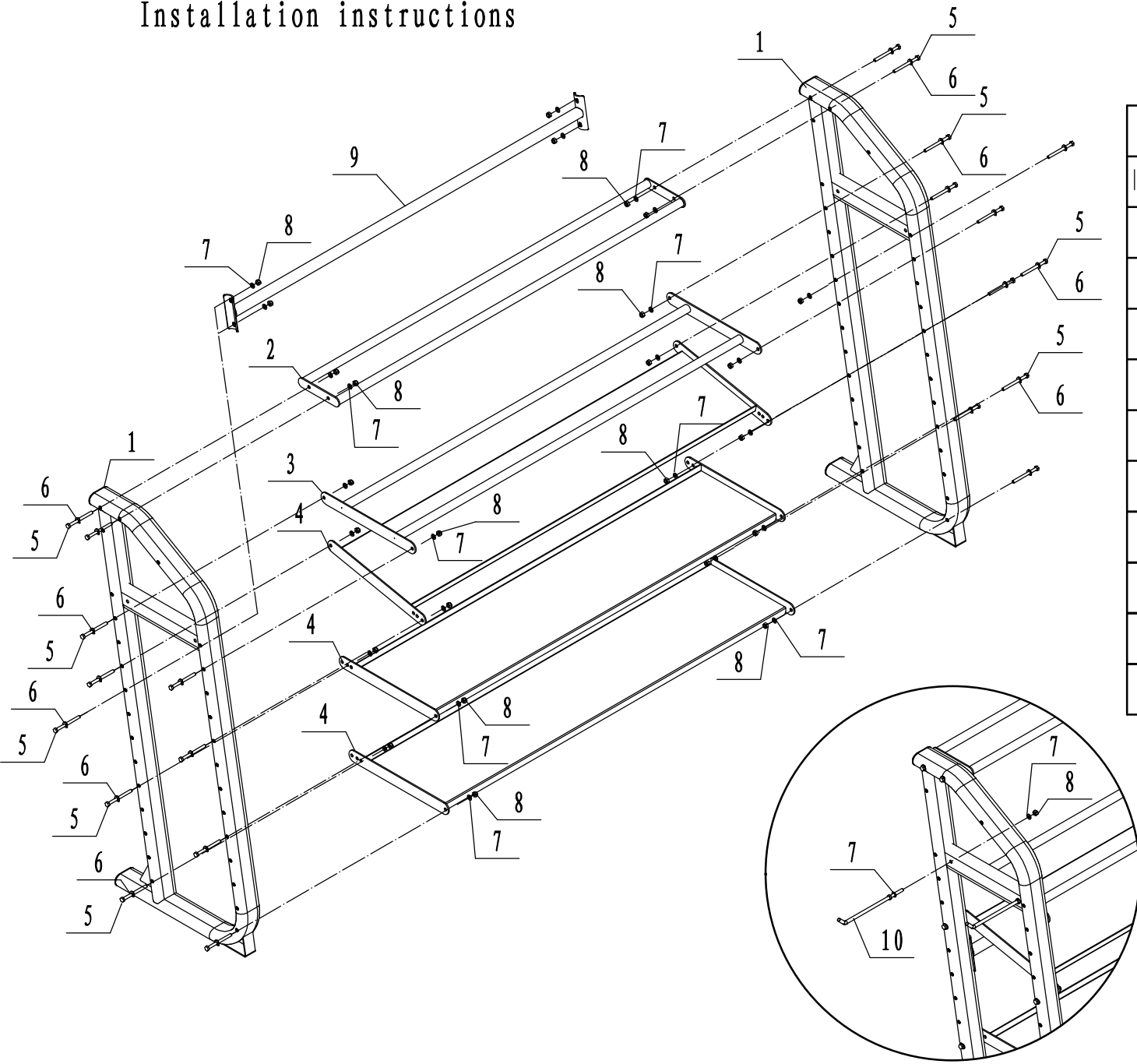


Installation instructions



Packing List			
Item No.	Description	Qty	
1	Main frame	2	
2	Storage rack A	1	
3	Storage rack B	1	
4	Storage rack C	3	
5	M10*120 bolt	24	
6	φ10 arc washer	24	
7	φ10 washer	32	
8	M10 nut	28	
9	Cross Frame	1	
10	Hook	4	