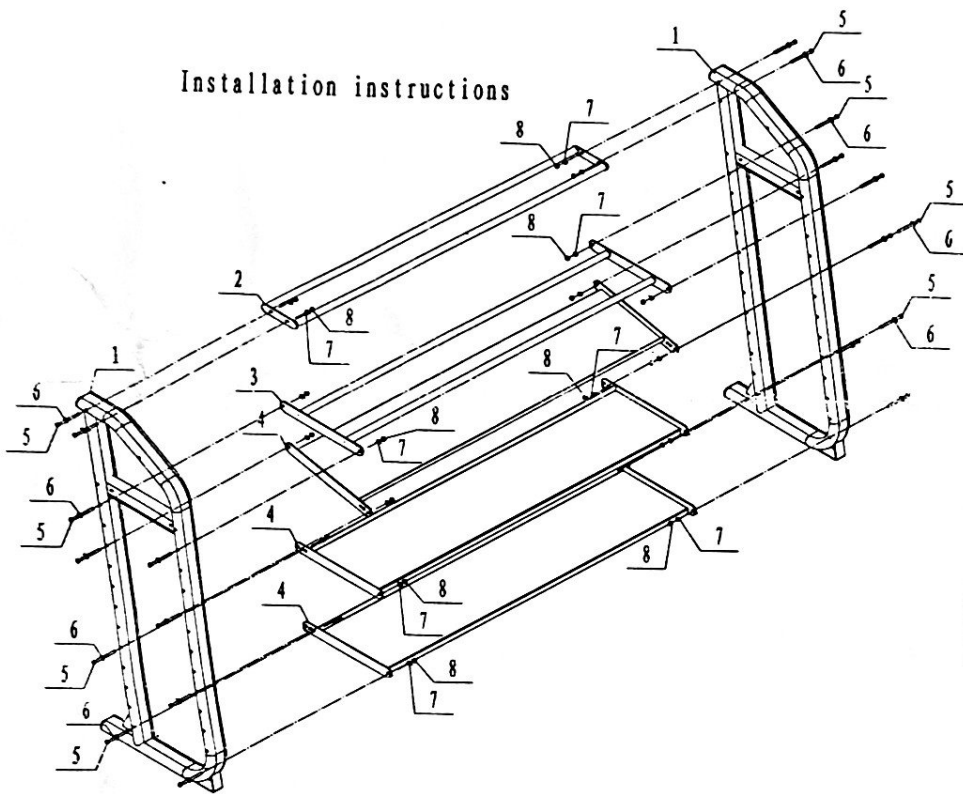


Installation instructions



Packing List

Item No.	Description	Qty
1	Main frame	2
2	Storage rack A	1
3	Storage rack B	1
4	Storage rack C	3
5	M10*120 bolt	20
6	φ10 arc washer	20
7	φ10 washer	20
8	M10 nut	20