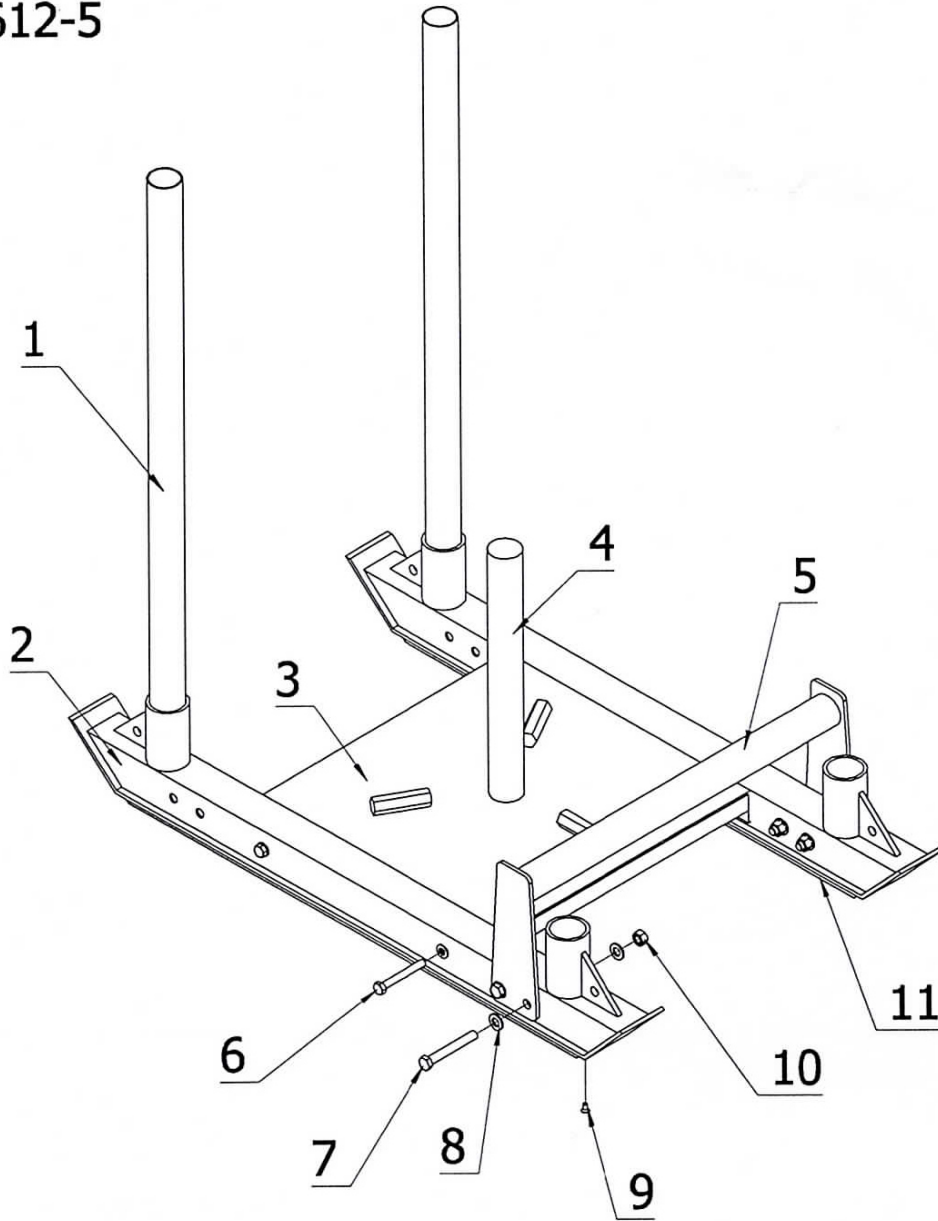


1612-5



No.	Description	Q'TY	No.	Description	Q'TY
1	900mm Pin	2	7	bolt M12*90	4
2	Sled rack	2	8	Washer ϕ 12	16
3	Junction plate	1	9	bolt M6*15	8
4	Pin	1	10	Nut M12	8
5	Push handle	1	11	Nylon plate	2
6	bolt M12*80	4			