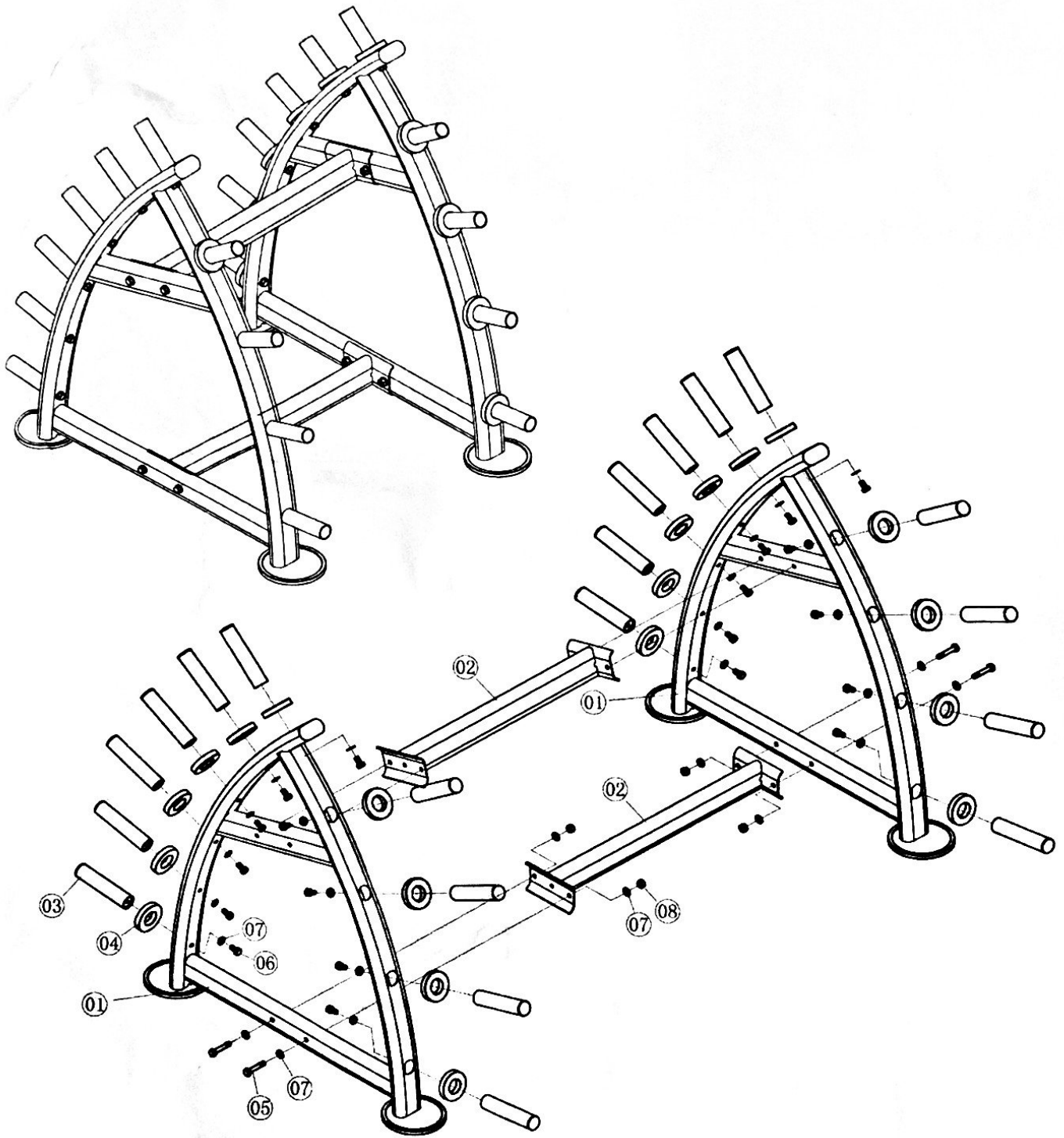


BARBELL RACKS



PART NO	DESCRIPTION	Q'TY	PART NO	DESCRIPTION	Q'TY
01	MAIN FRAME	2	05	HEX BOLT M10*55	8
02	CONNECT TUBE	2	06	HEX BOLT M10*20	20
03	ROUND TUBE	20	07	WASHER Φ 10	36
04	PLASTIC BUFFER	20	08	NYLON LOCK NUT M10	8